



FUJIAN YAHENG POWER TECHNOLOGY GROUP CO.,LTD

GEL 6FM35D 12V35AH

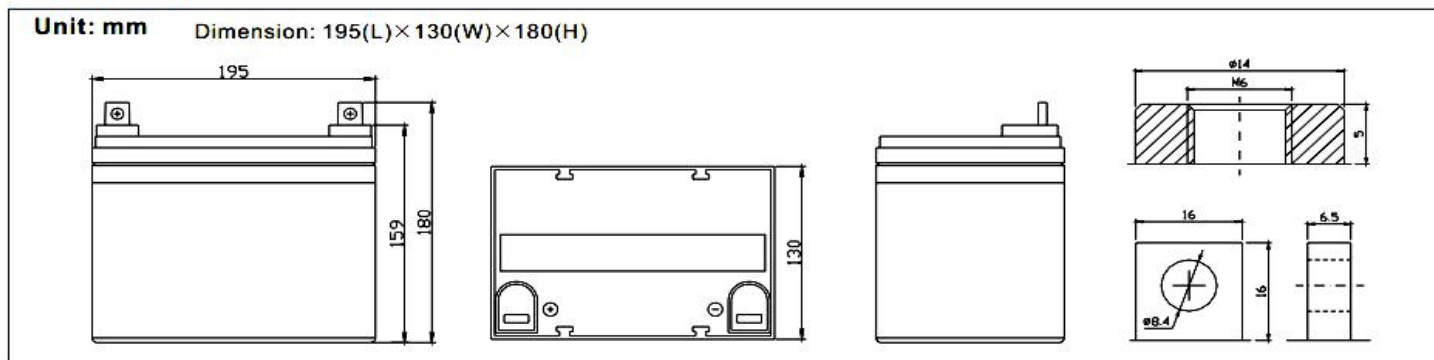
6FM33D is a deep cycle purpose GEL battery . with specially designed for frequent cyclic discharge usage. By using strong grid and specific paste plate, the battery offers 50% more cyclic life than the standby series. It is applicable for power tools, solar & wind energy, telecom system, etc..



Specification

Cells Per Unit	6
Voltage Per Unit	12V
Capacity	35AH@20hr-rate to 1.75V per cell @ 25°C
Weight	Approx. 10.5kg (Tolerance±3%)
Max. Discharge Current	350A(5sec)
Internal Temperature Range	Discharge: -20°C~60°C Charge: 0°C~50°C Storage: -20°C~60°C
Normal Operating Temperature Range	25±5°C
Float Charging Voltage	13.6 to 13.8 VDC/unit Average at 25°C
Recommended Maximum Charging	10.5A
Equalization and Cycle service	14.6 to 14.8 VDC /unit Average at 25°C
Self Discharge	YAHENG Vale Regulated Lead Acid(VRLA) Can be stored for more than 6 months at 25°C. Self-discharge ratio less than 3% per month at25°C. Please charge batteries before using.
Terminal	Terminal F14/ L16
Container Material	A.B.S. UL94-HB, Flammability resistance of UL94-V2 can be avail upon request

Dimensions



Constant Current Discharge Characteristics: A(25°C)

F.V/Time	5MIN	10MIN	15MIN	30MIN	1HR	2HR	3HR	4HR	5HR	8HR	10HR	20HR
9.60V	110.6	81.41	63.46	38.67	21.45	12.83	8.858	7.338	6.178	4.220	3.500	1.868
10.0V	107.4	77.46	62.16	38.01	21.35	12.73	8.824	7.304	6.141	4.185	3.466	1.834
10.2V	104.2	74.73	61.18	37.30	21.15	12.63	8.756	7.270	6.105	4.151	3.433	1.800
10.5V	93.56	68.95	58.26	37.02	20.96	12.54	8.722	7.202	6.032	4.117	3.399	1.766
10.8V	84.45	62.88	53.70	36.39	20.46	12.31	8.485	7.032	5.923	4.048	3.365	1.732
11.1V	72.10	56.20	48.17	34.07	19.44	11.77	8.111	6.692	5.669	3.877	3.264	1.630

Constant Power Discharge Characteristics: W(25°C)

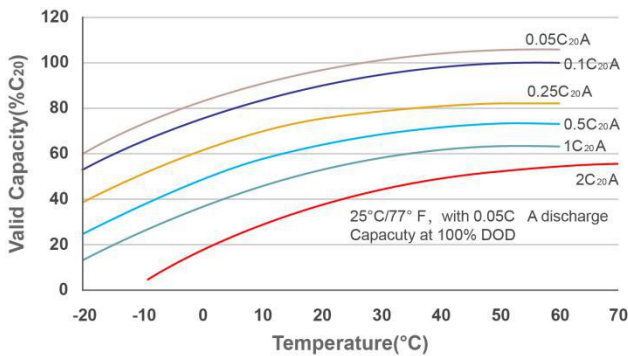
F.V/Time	5MIN	10MIN	15MIN	30MIN	1HR	2HR	3HR	4HR	5HR	8HR	10HR	20HR
9.60V	1167	867.0	691.8	434.0	247.9	151.2	105.41	87.46	73.70	50.38	41.82	22.39
10.0V	1144	840.4	680.7	428.7	247.3	150.4	105.45	87.35	73.51	50.14	41.56	22.00
10.2V	1130	818.2	673.1	425.6	245.4	149.5	104.99	87.16	73.26	49.81	41.19	21.60
10.5V	1029	761.9	642.0	422.7	243.2	148.4	104.58	86.35	72.39	49.40	40.79	21.19
10.8V	937.4	702.4	593.4	415.9	238.7	146.5	101.73	84.38	71.08	48.58	40.38	20.78
11.1V	823.3	635.0	534.2	391.7	228.5	141.1	97.34	80.31	68.03	46.52	39.17	19.56

All mentioned values are average values.



FUJIAN YAHENG POWER TECHNOLOGY GROUP CO.,LTD

Temperature and Valid Capacity



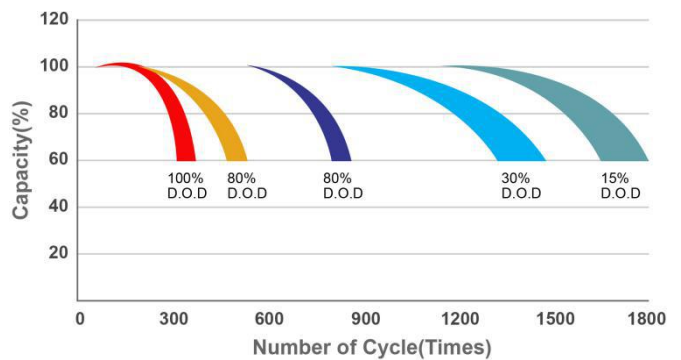
Discharge Characteristics at Various Rates @25°C/77



Charge characteristic curve for standby use



Life characteristics of cyclic use



Discharge Current VS. Discharge Voltage

Final Discharge Voltage V/cell	1.75V	1.75V	1.60V
Discharge Current (A)	A ≤ 0.2C	0.2C ≤ A ≤ 1.0C	≥ 1.0C

Charge the batteries at least once every six months, if they are stored at 25°C

Charging Method:

Constant Voltage	-0.2C*2h+2.4-2.45V/cell*24h, Max.Current 0.3CA
Constant Current	-0.2C*2h+0.1CA*12h
Fast	-0.2C*2h+0.3CA*4.0h

Maintenance & Cautions

Float Service

- ✘ Every month, recommend inspection every battery voltage
 - ✘ Every three months, recommend equalization charge for one time.
- Equalization charge method:
- Discharge: 100% rate capacity discharge.
- Charge: Max. Current 0.3CA, constant voltage 2.4-2.45V/Cell charge 24h
- ✘ Effect of temperature on float charge voltage: -3mV/Cell.
 - ✘ Length of service life will be directly affected by the number of discharge cycles, depth of discharge, ambient temperature and charging voltage.

Contact us:

Fujian Yaheng Power Technology Group Co.,Ltd

Add: Yaheng Industrial Park, Jianyang District, Nanping City, Fujian Province, China

Website: www.yahengpower.com

Email: liwendu@yahengpower.com

Tel: +86-599-5837578 Fax: +86-599-5823986