



FUJIAN YAHENG POWER TECHNOLOGY GROUP CO.,LTD

GEL 6FM55T 12V55AH

6FM55T is a deep cycle purpose GEL battery . with specially designed for frequent cyclic discharge usage. By using strong grid and specific paste plate, the battery offers 50% more cyclic life than the standby series. It is applicable for power tools, solar & wind energy, telecom system, etc..

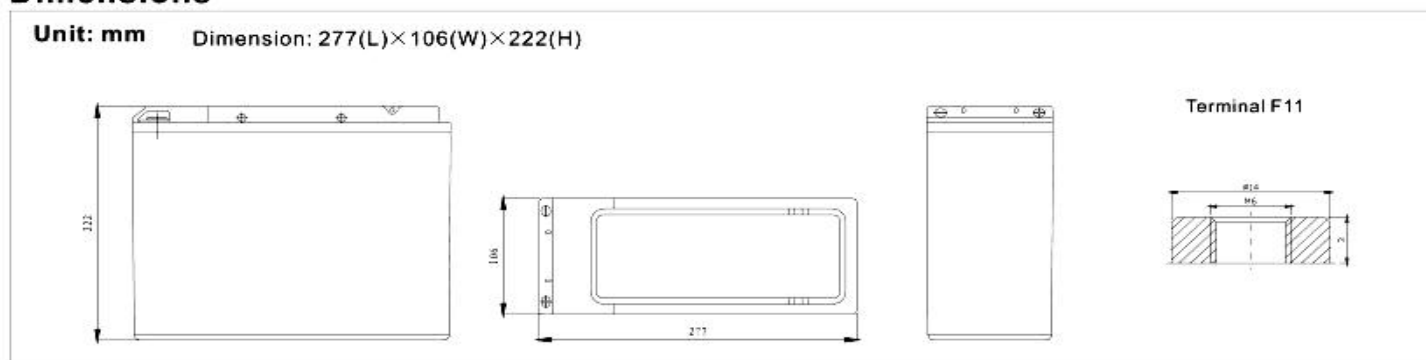


Specification

| | |
|------------------------------------|---|
| Cells Per Unit | 6 |
| Voltage Per Unit | 12V |
| Capacity | 55AH@20hr-rate to 1.75V per cell @ 25°C |
| Weight | Approx. 18.0kg (Tolerance±3%) |
| Max. Discharge Current | 550A(5sec) |
| Internal Temperature Range | Discharge: -20°C~60°C Charge: 0°C~50°C Storage: -20°C~60°C |
| Normal Operating Temperature Range | 25±5°C |
| Float Charging Voltage | 13.6 to 13.8 VDC/unit Average at 25°C |
| Recommended Maximum Charging | 16.5A |
| Equalization and Cycle service | 14.4 to 14.8 VDC /unit Average at 25°C |
| Self Discharge | YAHENG Vale Regulated Lead Acid(VRLA) Can be stored for more than 6 months at 25°C. Self-discharge ratio less than 3% per month at25°C. Please charge batteries before using. |
| Terminal | Terminal F11 |
| Container Material | A.B.S. UL94-HB, Flammability resistance of UL94-V2 can be avail upon request |

Dimensions

Unit: mm Dimension: 277(L)×106(W)×222(H)



Constant Current Discharge Characteristics: A(25°C)

| F.V/Time | 5MIN | 10MIN | 15MIN | 30MIN | 1HR | 2HR | 3HR | 4HR | 5HR | 8HR | 10HR | 20HR |
|----------|-------|-------|--------|-------|-------|-------|-------|-------|-------|-------|-------|-------|
| 9.60V | 184.3 | 135.7 | 105.8 | 64.46 | 35.75 | 21.38 | 14.76 | 12.23 | 10.30 | 7.033 | 5.833 | 3.113 |
| 10.0V | 179.0 | 129.1 | 103.6 | 63.34 | 35.59 | 21.22 | 14.71 | 12.17 | 10.24 | 6.976 | 5.777 | 3.056 |
| 10.2V | 173.7 | 124.5 | 101.97 | 62.17 | 35.26 | 21.06 | 14.59 | 12.12 | 10.17 | 6.919 | 5.721 | 2.999 |
| 10.5V | 155.9 | 114.9 | 97.09 | 61.70 | 34.93 | 20.90 | 14.54 | 12.00 | 10.05 | 6.861 | 5.665 | 2.943 |
| 10.8V | 140.7 | 104.8 | 89.50 | 60.65 | 34.10 | 20.52 | 14.14 | 11.72 | 9.872 | 6.747 | 5.609 | 2.886 |
| 11.1V | 120.2 | 93.7 | 80.28 | 56.78 | 32.40 | 19.61 | 13.52 | 11.15 | 9.448 | 6.461 | 5.441 | 2.716 |

Constant Power Discharge Characteristics: W(25°C)

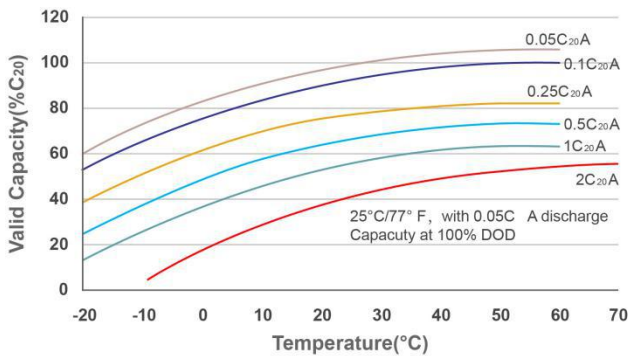
| F.V/Time | 5MIN | 10MIN | 15MIN | 30MIN | 1HR | 2HR | 3HR | 4HR | 5HR | 8HR | 10HR | 20HR |
|----------|------|-------|-------|-------|-------|-------|-------|-------|-------|-------|-------|-------|
| 9.60V | 1944 | 1445 | 1153 | 723.3 | 413.1 | 252.0 | 175.7 | 145.8 | 122.8 | 83.97 | 69.71 | 37.32 |
| 10.0V | 1906 | 1401 | 1135 | 714.4 | 412.1 | 250.7 | 175.7 | 145.6 | 122.5 | 83.57 | 69.27 | 36.67 |
| 10.2V | 1884 | 1364 | 1122 | 709.4 | 408.9 | 249.1 | 175.0 | 145.3 | 122.1 | 83.02 | 68.65 | 35.99 |
| 10.5V | 1715 | 1270 | 1070 | 704.5 | 405.3 | 247.3 | 174.3 | 143.9 | 120.6 | 82.34 | 67.98 | 35.31 |
| 10.8V | 1562 | 1171 | 989.0 | 693.2 | 397.8 | 244.2 | 169.6 | 140.6 | 118.5 | 80.96 | 67.31 | 34.63 |
| 11.1V | 1372 | 1058 | 890.3 | 652.9 | 380.8 | 235.1 | 162.2 | 133.8 | 113.4 | 77.53 | 65.29 | 32.60 |

All mentioned values are average values.

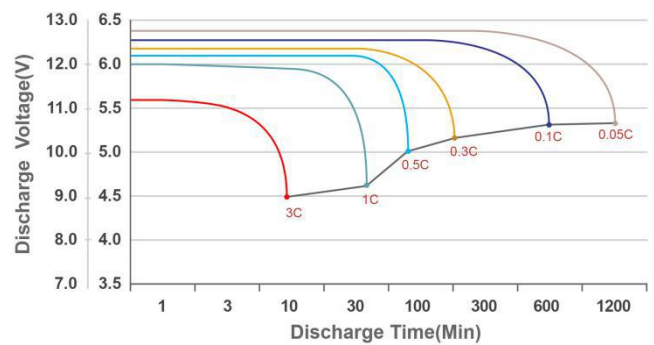


FUJIAN YAHENG POWER TECHNOLOGY GROUP CO.,LTD

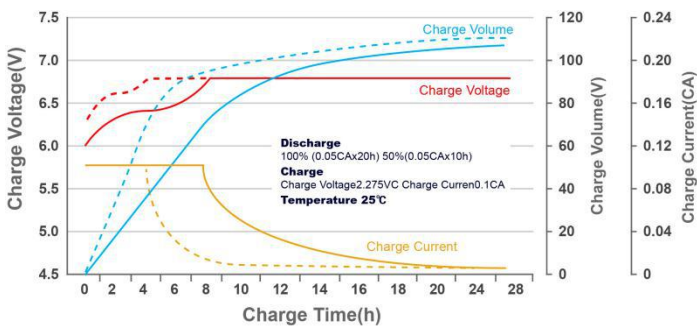
Temperature and Valid Capacity



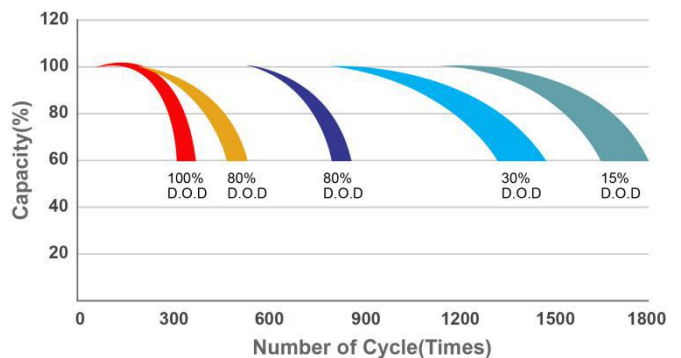
Discharge Characteristics at Various Rates @25°C/77



Charge characteristic curve for standby use



Life characteristics of cyclic use



Discharge Current VS. Discharge Voltage

| | | | |
|--------------------------------|----------|-----------------|--------|
| Final Discharge Voltage V/cell | 1.75V | 1.75V | 1.60V |
| Discharge Current (A) | A ≤ 0.2C | 0.2C ≤ A ≤ 1.0C | ≥ 1.0C |

Charge the batteries at least once every six months, if they are stored at 25°C

Charging Method:

| | |
|------------------|--|
| Constant Voltage | -0.2C*2h+2.4-2.45V/cell*24h, Max.Current 0.3CA |
| Constant Current | -0.2C*2h+0.1CA*12h |
| Fast | -0.2C*2h+0.3CA*4.0h |

Maintenance & Cautions

Float Service

- ✘ Every month, recommend inspection every battery voltage
 - ✘ Every three months, recommend equalization charge for one time.
- Equalization charge method:
- Discharge: 100% rate capacity discharge.
- Charge: Max. Current 0.3CA, constant voltage 2.4-2.45V/Cell charge 24h
- ✘ Effect of temperature on float charge voltage: -3mV/Cell.
 - ✘ Length of service life will be directly affected by the number of discharge cycles, depth of discharge, ambient temperature and charging voltage.

Contact us:

Fujian Yaheng Power Technology Group Co.,Ltd

Add: Yaheng Industrial Park, Jianyang District, Nanping City, Fujian Province, China

Website: www.yahengpower.com

Email: liwendu@yahengpower.com

Tel: +86-599-5837578 Fax: +86-599-5823986